



# HEATMASTER™

## UNVENTED (GAS LOG) ROOM HEATER INSTALLATION AND OPERATING INSTRUCTIONS

### MirageGlo™ Gas Log Set MGVF-MV-20LP & MGVF-MV-20NAT Burner Units with MGL-20 Log Set

**WARNING:** Improper installation, adjustment, alteration, service or maintenance can cause property damage, personal injury or loss of life. Refer to this manual for information.

This is an unvented gas-fired heater. It uses air (oxygen) from the room in which it is installed. Provisions for adequate combustion and ventilation air must be provided. Refer to page 4 of these instructions.

**This appliance is for supplemental heating only. It should not be used as the primary heat source for a dwelling.**

**WARNING:** If the information in this manual is not followed exactly, a fire or explosion may result causing property damage, personal injury or loss of life.

- Do not store or use gasoline or other flammable vapors and liquids in the vicinity of this or any other appliance.

#### **- WHAT TO DO IF YOU SMELL GAS**

- ◆ Do not try to light any appliance.
- ◆ Do not touch any electrical switch; do not use any phone in your building.
- ◆ Immediately call your gas supplier from a neighbor's phone. Follow the gas supplier's instructions.
- ◆ If you cannot reach your gas supplier, call the fire department.

- Installation and service must be performed by a qualified installer, service agency or the gas supplier.

**IMPORTANT:** READ INSTRUCTIONS CAREFULLY BEFORE BEGINNING INSTALLATION OF THIS ROOM HEATER.

### **ATTENTION INSTALLER:**

**REVIEW AND LEAVE THESE INSTRUCTIONS WITH THE CUSTOMER FOR FUTURE REFERENCE.**

## DO NOT TAMPER WITH PILOT LIGHT SAFETY SYSTEM

This heater is equipped with a **PILOT LIGHT SAFETY SYSTEM** designed to turn off the heater if not enough fresh air is available. If the heater shuts off, do not relight until you have provided fresh air. If heater keeps shutting off, have it serviced by a qualified installer, service agency or the gas supplier. Keep burner and control compartment clean.

### WARNING

- ◆ When used without fresh air, this room heater may give off CARBON MONOXIDE, an odorless and poisonous gas.
- ◆ Early signs of carbon monoxide poisoning resemble the flu, with headache, dizziness and/or nausea. If you have these signs, heater may not be working properly. Get fresh air at once! Have heater serviced.
- ◆ Some people - pregnant women, persons with heart or lung disease, anemia, those under the influence of alcohol and those at high altitudes are more affected by carbon monoxide than others.
- ◆ Due to high surface temperatures, the appliance should be located out of traffic and away from furniture and draperies.
- ◆ Children and adults should be alerted to the hazard of high surface temperature and should stay away to avoid burns or clothing ignition.
- ◆ Young children should be carefully supervised when they are in the same room with the appliance.
- ◆ Adults must be present at all times while operating this appliance.
- ◆ Do not place clothing or other flammable material on or near the appliance.
- ◆ Do not leave this appliance operating while unattended or while occupants are sleeping.
- ◆ Any safety screen or guard removed for servicing an appliance must be replaced prior to operating the heater.
- ◆ Installation and repair should be done by a qualified service person. The appliance should be inspected before use and at least annually by a professional service person. More frequent cleaning may be required due to excessive lint from carpeting, bedding material, etc. It is imperative that control compartments, burners and circulating air passageways of the appliance be kept clean.
- ◆ “WARNING: Any change to this heater or its controls can be dangerous.”
- ◆ Before installing in a solid fuel burning fireplace, the chimney flue and firebox must be cleaned of soot, creosote, ashes and loose paint by a qualified chimney cleaner.
- ◆ This appliance is for installation in a solid-fuel burning fireplace or an approved ventless firebox enclosure only.
- ◆ Do not allow fans to blow directly into the fireplace. Avoid any drafts that alter burner flame patterns.
- ◆ Do not use a blower insert, heat exchanger insert or other accessory not approved for use with this heater.

## **WARNING**

- ◆ This room heating appliance is factory designed to produce a flame having a clean and virtually transparent appearance. If at any time the appliance begins to appear abnormal due to excessive yellow flames, noticeable odor, or any carbon deposits on the logs, immediately turn the appliance to the “OFF” position and contact a qualified service technician or the gas company.
- ◆ While operating this appliance using propane (LP) gas, the flame burning characteristics may vary as the gas level in the LP tank approaches empty or less than 1/4 full.
- ◆ Unvented gas logs are intended for supplemental heat and are not to be used as a primary heating source. When operated for an extended period of time this room heating appliance can produce moisture that could create condensation, requiring additional ventilation to the home. (example: partially open a window, partially open the fireplace vent if applicable).
- ◆ Do not remove from this unit any of the attached metal plates which contain important safety and operating information.

## **IMPORTANT INFORMATION**

- ◆ This room heater is design certified by CSA International under the ANSI Z21.11.2b-1998 Unvented Heaters, ANSI Z21.60-1996 CGA 2.26-M96, Decorative Appliances for Installation in Solid-fuel Burning Fireplaces. ANSI Z21.60-1996 CGA 2.26-M96 only applies to manual control valve units and does not apply to the thermostat control units. State or local codes may only allow operation of this appliance in a vented configuration. Check your state or local codes.
- ◆ A fireplace screen must be in place while the appliance is operating and, unless other provisions for combustion air are provided, the screen shall have an opening(s) for introduction of combustion air.
- ◆ The flue damper in an existing vented solid-fuel burning fireplace must be closed at all times when operated as an unvented room heater.
- ◆ Solid-fuels shall not be burned in a fireplace where an unvented room heater is installed.
- ◆ Always have glass fireplace doors open completely and have fireplace screen closed when operating this appliance.
- ◆ This unvented room heater shall not be installed in a bedroom, bathroom, or any room where an occupant could possibly be sleeping.
- ◆ When installing this appliance in a fireplace with a mantle, always follow guidelines listed in the *Installation Clearances* section of this brochure.
- ◆ If a hood is required to be installed on your fireplace due to mantle clearances, contact your dealer or HEATMASTER, INC. for availability of the hood.
- ◆ Do not use this room heater if any part has been under water. Immediately call a qualified service technician to inspect the room heater and to replace any part of the gas control system which has been under water.

## COMBUSTION AND VENTILATION PROVISIONS

**WARNING:** This heater shall not be installed in a confined space or unusually tight construction unless provisions are provided for adequate combustion and ventilation air.

### Confined Space and Unconfined Space

*The National Fuel Gas Code, ANSI Z223.1* defines a confined space as a space whose volume is less than 50 cubic feet per 1,000 Btu per hour (4.8 m<sup>3</sup> per kW) of the aggregate input rating of all appliances installed in that space and an unconfined space as a space whose volume is not less than 50 cubic feet per 1,000 Btu per hour (4.8 m<sup>3</sup> per kW) of the aggregate input rating of all appliances installed in that space. Rooms communicating directly with the space in which the appliances are installed, through openings not furnished with doors, are considered a part of the unconfined space.

**WARNING:** If the area in which the heater may be operated is smaller than that defined as an unconfined space or if the building is of unusually tight construction, provide adequate combustion and ventilation air by one of the methods described in the *National Fuel Gas Code, ANSI Z223.1*, Section 5.3 or applicable local codes.

### Unusually tight construction is defined as construction where:

- a. Walls and ceilings exposed to the outside atmosphere have a continuous water vapor retarder with a rating of 1 perm (6 x10<sup>-11</sup> kg per pa-sec-m<sup>2</sup>) or less with openings gasketed or sealed, and
- b. Weather stripping has been added to openable windows and doors, and
- c. Caulking or sealants are applied to areas such as joints around window and door frames, between sole plates and floors, between wall-ceiling joists, between wall panels, at penetrations for plumbing, electrical, and gas lines, and at other openings.

### Instructions for determining maximum Btu's for a room

#### Step 1

This calculation is for combustion and ventilation air provisions only and is not intended to be used for sizing for heating comfort. To determine the maximum Btu's allowed for a given room size you will need to calculate the volume of the room in cubic feet. To perform this calculation, fill in the table below and multiply the room's width, length and height to obtain the room volume in cubic feet.

ROOM LENGTH	ROOM WIDTH	ROOM HEIGHT	ROOM VOLUME IN CUBIC FEET
X	X	=	

**Example:** If your room is 20 feet in length, 16 feet wide and has an 8 foot ceiling height, the calculation would be as follows: 20 x 16 x 8 = 2,560 cubic feet.

#### Step 2

Divide the room volume by 50 cubic feet to determine the maximum Btu per hour the room can utilize.

**Example:** Using the above example: 2,560 cubic feet divided by 50 = 51.2 x 1,000 = 51,200 Btu's.

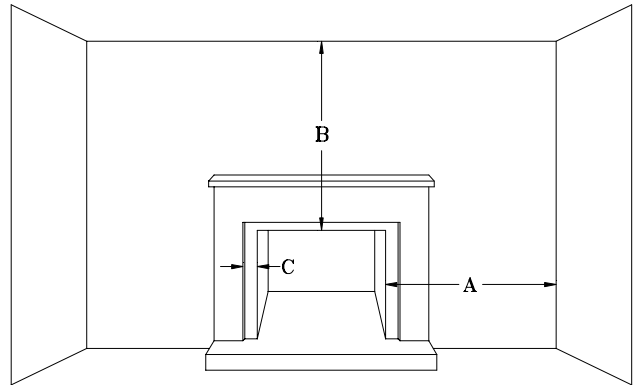
If the rate of your appliance plus any other gas appliances installed in the space is rated at more Btu's than the example calculated above, you must follow instructions for confined space. See shaded WARNING above.

If your appliance is rated at less Btu's than the example calculated above, then your area is considered unconfined space.

# INSTALLATION CLEARANCES AND INFORMATION

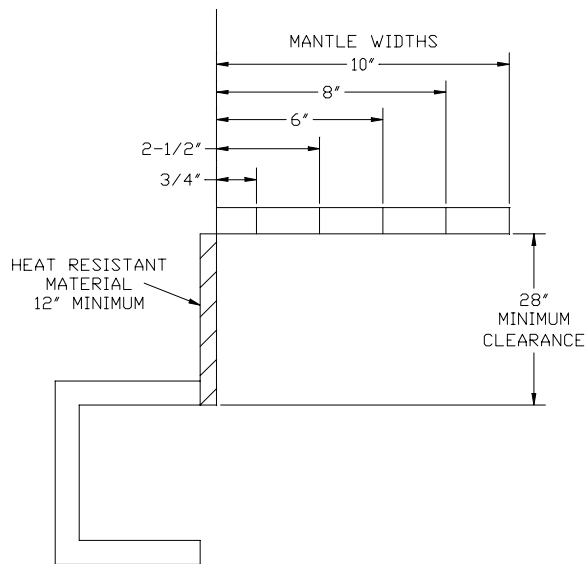
To ensure a safe installation in a masonry or approved factory built fireplace, the following instructions must be carefully followed.

- A) Minimum clearance from the side of the fireplace opening to any combustible wall should not be less than 15 inches.
- B) Minimum clearance from the top of the fireplace opening to any combustible ceiling should not be less than 42 inches.
- C) Minimum clearance from the side of the fireplace opening to part of a mantle piece should not be less than 6 inches. See figure at right.

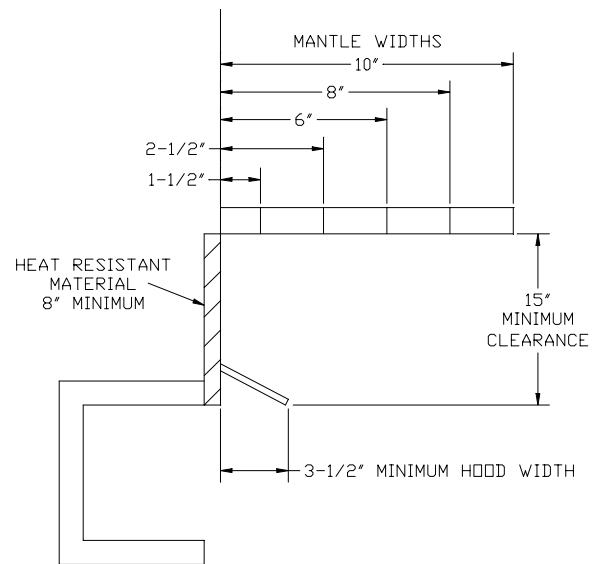


Minimum mantle clearance when unit is installed as a vent free appliance in a pre-existing fireplace.

## Minimum Mantle Clearance Without Hood



## Minimum Mantle Clearance With Hood



### **Note:**

The stated installation clearances provide the safest distance for combustible materials to ensure that walls, ceilings, and mantel components will not be affected by heat discoloration, warpage, or possible fire. Each appliance installation presents a different set of variables which can create problems beyond the control of the gas log manufacturer. It is the responsibility of the installer to stay within the minimum clearances stated and set forth by the manufacturer within this instruction manual.

## INSTALLATION INFORMATION AND INSTRUCTIONS WHEN INSTALLING AS A VENT FREE APPLIANCE

The installation of this room heater must conform with local codes or, in the absence of local codes with the *National Fuel Gas Code, ANSI Z223.1*.

**NOTE:** Before the unit is connected to any gas line, check the name plate on the unit for the proper gas type you will be using.

*The appliance regulator on this appliance is not intended to regulate any gas pressure above ½ psig. If using LP gas, a low pressure regulator (not furnished) must be installed in the gas line between the tank and appliance. Do not connect the appliance to the gas line if this regulator is not in place. If using natural gas, check with the gas company to ensure that proper gas pressure is available.*

**WARNING:** An explosion could occur if a connection is made directly to an unregulated LP gas tank.

**GAS PRESSURE:** Minimum inlet gas supply pressure must be 5.0" WC for natural gas or 11" WC for LP gas for the purpose of input adjustment. Maximum inlet gas supply pressure must not exceed 10.5" WC for natural gas, or 14" WC for LP gas. The gas line supplying the appliance must be sufficient size to furnish the appropriate supply pressure to the appliance when being operated on the high setting.

- ◆ The appliance and its appliance main gas valve must be disconnected from the gas supply piping system during any pressure testing of that system at test pressures in excess of ½ psig (3.5kPa).
- ◆ The appliance must be isolated from the gas supply piping system by closing its equipment shut-off valve during any pressure testing of the gas supply piping system at test pressures equal to or less than ½ psig (3.5kPa).
- ◆ Always keep appliance area clear and free from combustible materials, gasoline and other flammable vapors and liquids.
- ◆ Pressure tap screws must be closed before turning on gas to appliance.
- ◆ Any outside air ducts and/or ash dumps in the fireplace shall be permanently closed at the time of the appliance installation.
- ◆ Special provisions should be made if the unit is to be installed into a sunken fireplace by raising the floor of the fireplace using non-combustible materials to insure adequate airflow.

This appliance may be installed in an aftermarket \* permanently located, manufactured (mobile) home, where not prohibited by state or local codes.

\* Aftermarket: Completion of sale, not for the purpose of resale, from the manufacturer.

This appliance is only for use with the type of gas indicated on the rating plate. This appliance is not convertible for use with other gases.

# INSTALLATION INSTRUCTIONS

## WHEN INSTALLING AS A VENTED DECORATIVE APPLIANCE

*When installing as a vented appliance, the following statements and charts must be followed.*

- ◆ This appliance must be installed only in a solid-fuel burning fireplace with a working flue, and constructed of non-combustible material.
- ◆ Solid fuels shall not be burned in a fireplace where a decorative appliance is installed. The minimum permanent free opening (in square inches) that must be provided by either a fireplace chimney or chimney damper must be provided (See Table 2 and Table 3 on page 8.)
- ◆ The chimney damper must be fixed in a manner which will maintain the minimum permanent vent opening at all times. To accomplish this, install a damper clamp on the edge of the damper blade to prevent its closing, or drill a hole or holes in the damper.
- ◆ See Table 1 below when installing as a vented decorative appliance for the minimum size fireplace that can be used.

**TABLE 1 for MINIMUM SIZE FIREPLACE DIMENSIONS**

	<b>MGVF-MV-20LP MGVF-MV-20NAT</b>
<b>Height of Front Opening</b>	<b>16"</b>
<b>Width of Front Opening</b>	<b>24"</b>
<b>Depth</b>	<b>12.5"</b>

**TABLE 2**  
for  
**FACTORY BUILT FIREPLACES**

Free opening area of chimney damper for venting combustion products from decorative appliances for installation in solid fuel burning fireplaces.

**MINIMUM PERMANENT FREE OPENING IN SQUARE INCHES**

Chimney Height	20" Log Set LP Gas	20" Log Set Natural Gas
10	11.3	16.6
15	8.6	12.6
20	7.5	10.8
25	6.6	9.6
30	6.2	9.1
35	5.7	8.0
40	5.3	7.5

**TABLE 3**  
for  
**MASONRY BUILT FIREPLACES**

Free opening area of chimney damper for venting combustion products from decorative appliances for installation in solid fuel burning fireplaces.

**MINIMUM PERMANENT FREE OPENING IN SQUARE INCHES**

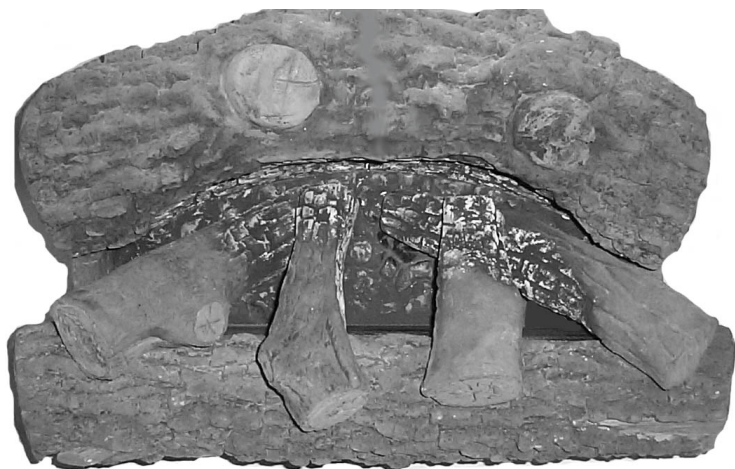
Chimney Height	20" Log Set LP Gas	20" Log Set Natural Gas
6	17.6	25.7
8	16.5	23.7
10	15.1	21.7
15	14.1	19.9
20	12.9	18.5
30	12.2	16.9



# APPLIANCE ASSEMBLY INSTRUCTIONS

1. Carefully remove all log parts from the box and place them onto the floor off to one side of the fireplace. DO NOT DROP ANY LOG PART AS BREAKAGE MAY EASILY OCCUR.
2. Remove the burner assembly from the box and place it onto floor of the fireplace with the grate facing the front of the fireplace.
3. Position the burner assembly centered from side to side and as far toward the back wall of the fireplace as possible.
4. Connect the gas line to the tubing adapter located underneath the unit.
5. Make sure the gas connections are tight. Turn on the gas and coat each joint with a soap and water solution and then watch for air bubbles indicating leaks. DO NOT USE A FLAME OR ANY TYPE OF IGNITION SOURCE TO CHECK FOR LEAKS. Any leaks must be corrected before proceeding with the installation.
6. Refer to the MGL-20 LOG PARTS LIST on page 14.
7. Select the Ember Plaque and carefully place it onto the burner assembly locating it behind the burner and centered from side to side.
8. Select the Back Log and carefully place it onto the burner assembly locating it behind the Ember Plaque.
9. Select the Front Log and carefully place it onto the burner assembly locating it in front of the burner and over the (2) log supports.
10. Select the Left Log and carefully place it onto the left pin located at the Ember Plaque and into the impression on the far left side of the Front Log.
11. Select the Right Log and carefully place it onto the right pin located at the Ember Plaque and over the protrusion on the far right side of the Front Log.
12. Select the Left, Middle Log and carefully place it onto the protrusion of the Left Log and over the protrusion on the left side of the Front Log.
13. Select the Right, Middle Log and carefully place it onto the impression of the Right Log and over the protrusion on the right side of the Front Log.
14. Refer to the MGL-20 LOG PLACEMENT PHOTOS below to determine if the assembly is correct.

## MGL-20 LOG PLACEMENT PHOTOS



**MGL-20 (TOP VIEW)**



**MGL-20 (SIDE VIEW)**

**WARNING:** *Failure to position the parts in accordance with these diagrams or failure to use only the parts specifically approved with the appliance may result in property damage or personal injury.*

## FOR YOUR SAFETY READ BEFORE LIGHTING

**WARNING:** If you do not follow these instructions exactly, a fire or explosion may result causing property damage, personal injury or loss of life.

- A. This appliance has a pilot that must be lighted by hand. When lighting the pilot, follow these instructions exactly. This appliance is equipped with a push button piezo ignition device that can be used to light the pilot. If the piezo fails to ignite the pilot, then follow the instructions for lighting pilot with a match.
- B. BEFORE LIGHTING smell all around the appliance area for gas. Be sure to smell next to the floor because some gas is heavier than air and will settle on the floor.  
WHAT TO DO IF YOU SMELL GAS
  - ◆ Do not try to light any appliance.
  - ◆ Do not touch any electrical switch; do not use any phone in your building.
  - ◆ Immediately call your gas supplier from a neighbor's phone. Follow the gas supplier's instructions.
  - ◆ If you cannot reach your gas supplier, call the fire department.
- C. Use only your hand to push in or turn the gas control knob. Never use tools. If the handle will not push in or turn by hand, do not try to repair it. Call a qualified service technician. Force or attempted repair may result in fire or explosion.
- D. Do not use this appliance if any part has been under water. Immediately call a qualified service technician to inspect the appliance and to replace any part of the gas control system that has been under water.

## MILLIVOLT VALVE PILOT LIGHTING INSTRUCTIONS

1. **STOP!** Read the safety information previously listed above.
2. Turn gas control knob clockwise  $\cup$  to the "OFF" position. Do not force.
3. Wait five (5) minutes to clear out any gas. Then smell for gas, including near the floor. If you smell gas, **STOP!** Follow "B" in the safety information above. If you don't smell gas, go to the next step.
4. Locate pilot (FIG. 1) by following the small metal tube from the gas control valve. The pilot is mounted on a bracket that is located and fastened behind the right side of the burner.
5. Make sure that the toggle switch is in the "OFF" position (Fig. 2).
6. Turn gas control knob (FIG. 2) counterclockwise  $\cup$  to "PILOT" position.
7. Push gas control knob all the way in and hold it. While still holding in the gas control knob, press the igniter push-button (FIG. 2) several times. This will cause a spark at the pilot burner which will ignite the pilot flame. Continue to hold the gas control knob (FIG. 2) in for about one (1) minute after the pilot is lit. Release gas control knob and it will pop back out. Pilot should remain lit. If it goes out, repeat steps 1 through 7.
  - ◆ If knob does not pop out when released, stop and immediately call your service technician or gas supplier.
  - ◆ **LIGHTING PILOT WITH MATCH:** Turn gas control knob (FIG. 2) to "PILOT" position. Place a lit match at the pilot burner (FIG. 1), then push the knob in. Continue to hold the gas control knob (FIG. 2) in for about one (1) minute after the pilot is lit. Release gas control knob and it will pop back out. Pilot should remain lit. If it goes out repeat the above step.
  - ◆ If pilot does not stay lit after several tries turn the gas control knob (FIG. 2) to "OFF" and call your service technician or gas supplier.

## TO TURN OFF GAS TO APPLIANCE

Turn the gas control knob (FIG. 2) clockwise  $\cup$  to "OFF". Do not force. If optional power is used, it must be turned off.

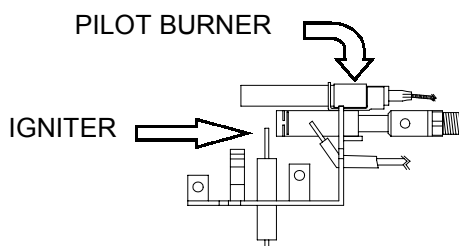


FIG. 1

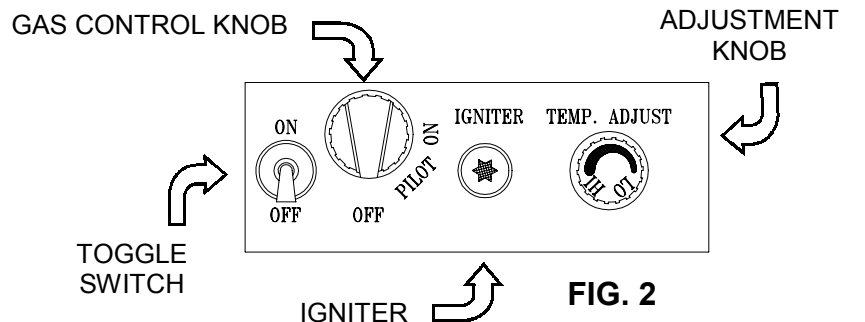
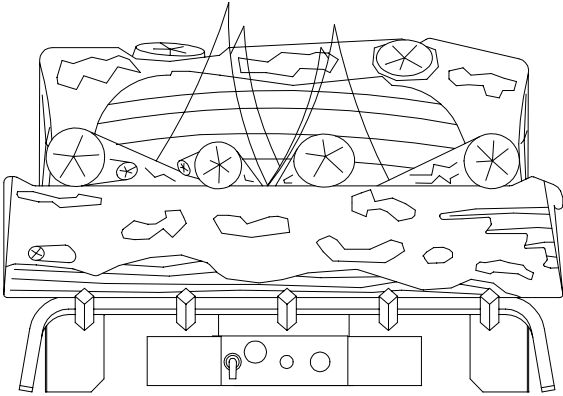
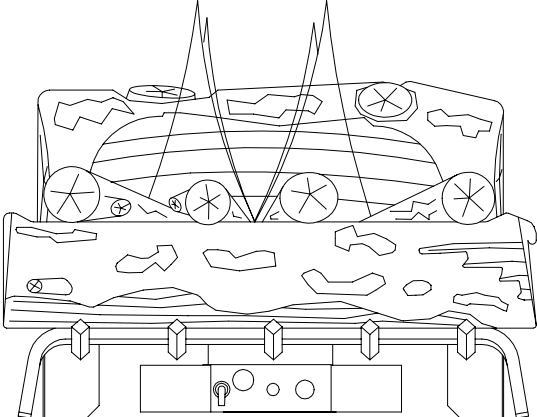


FIG. 2

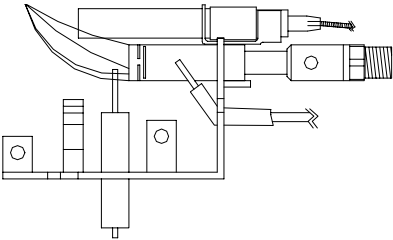
**MAIN BURNER FLAME  
(PROPANE)**



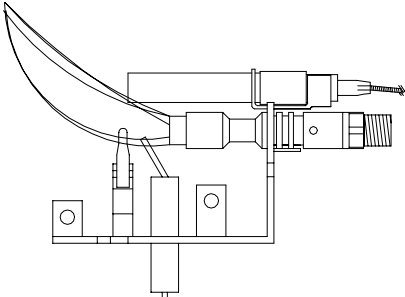
**MAIN BURNER FLAME  
(NATURAL)**



**PILOT GAS FLAME  
(PROPANE)**



**PILOT GAS FLAME  
(NATURAL)**



# OPERATING INSTRUCTIONS FOR THE APPLIANCE AS IT COMES FROM THE FACTORY

## MGVF-MV-20LP and MGVF-MV-20NAT

1. Follow the safety information on page 10 of this instruction manual.
2. Follow the lighting instructions on page 10 of this instruction manual.
3. Once the pilot is lit, rotate the gas control knob counter clockwise ⤴ to the "ON" position (Fig. 3) in order to light the burner.
4. **CAUTION: *Your log set burner will ignite when you complete the next step.***
5. Set the toggle switch to the "ON" position (Fig. 3).
6. Rotate the temperature adjustment knob (Fig. 3) to operate the burner within the preferred "HI" to "LO" setting.
7. To turn the main burner off, simply rotate the gas control knob clockwise ⤵ to the "PILOT" position. This will allow the pilot to continue to burn until you are ready to use the log set again.
8. To turn the log set completely off, push and rotate the gas control knob clockwise ⤵ to the "OFF" position. If this is done, the pilot must be re-ignited the next time you use your log set.

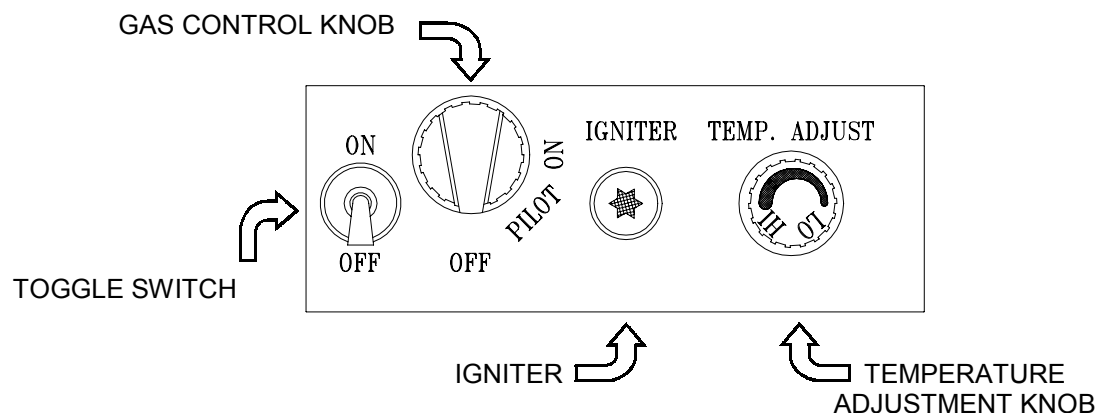


FIG. 3

# CLEANING AND MAINTENANCE INSTRUCTIONS

## **ALWAYS REMEMBER:**

1. Do not place any combustible material near the appliance.
  2. Do not place any paper, trash or other material on the log set or in the heater.
  3. Do not touch any part of the appliance when the unit is in operation.
  4. Do not operate this appliance without the fireplace screen closed.
- 

*Your heater is designed to be virtually maintenance free, although periodic visual inspection and cleaning is required. Follow the instructions below for the correct procedures.*

*If at any time the flames on your log set look abnormal or an odor is noticed that is coming from the appliance, contact a qualified service technician or the gas company.*

During periods of frequent use or periodically, visually inspect the main burner flames as well as the pilot flame for evidence of sooting. If sooting is present, turn the appliance "OFF" and contact a qualified service technician or the gas company. The appearance of these flames should resemble the drawings on page 11. Any measurements are approximate and flame heights may vary.

Fireplaces can be very dusty areas. Therefore inspect and clean it at least monthly during the heating season by following the guidelines below. More frequent cleaning may be required due to excessive lint from carpeting, bedding material, etc. It is imperative that control compartments, burners and circulating air passageways of the appliance be kept clean.

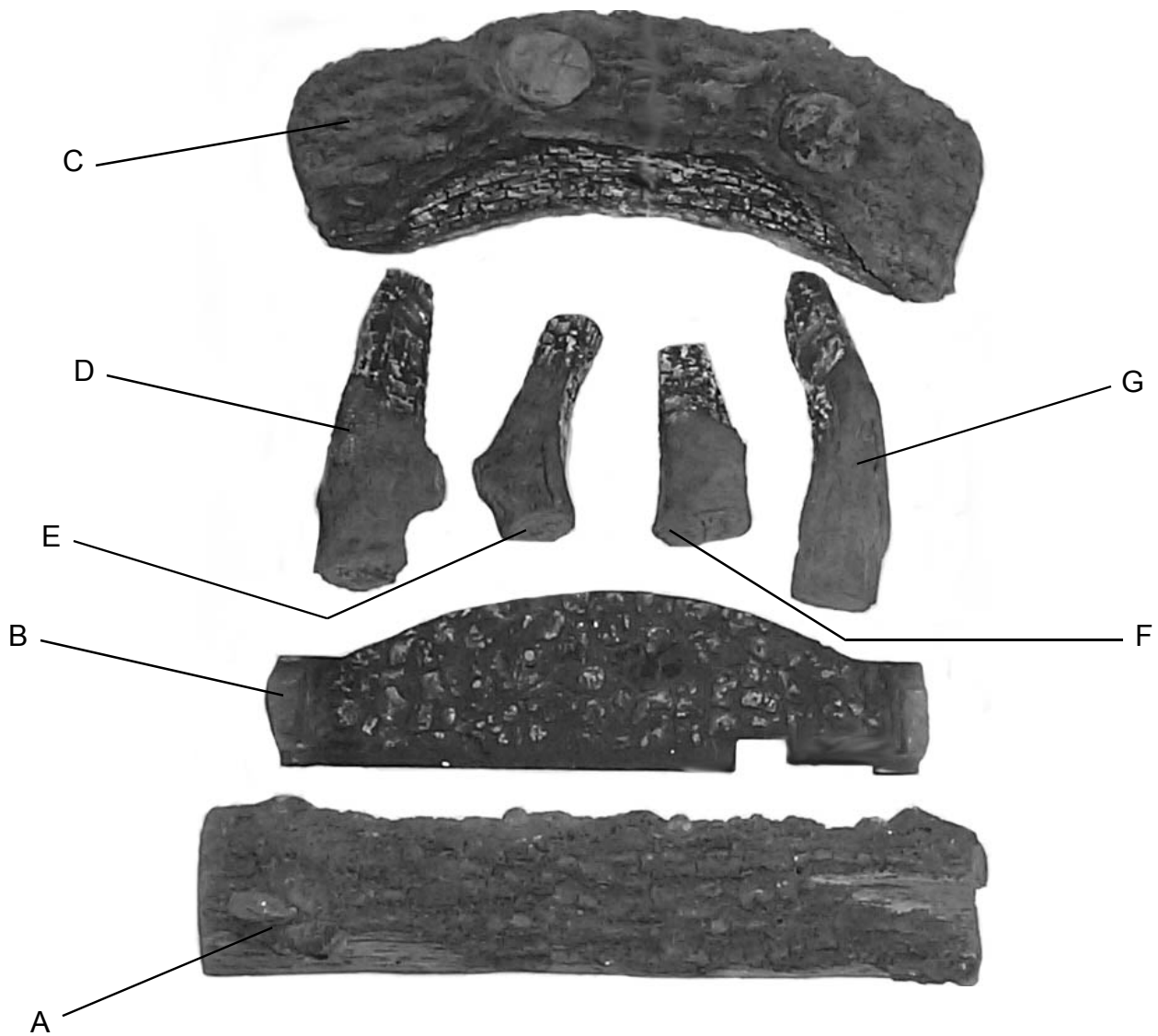
**CAUTION:** Before cleaning the appliance, be sure it is turned completely off. The pilot should also be turned off. The unit must be completely cooled.

## **DO NOT USE ANY CLEANING FLUIDS OR TOOLS FOR CLEANING PURPOSES**

1. Remove logs from grate assembly and place on the floor close to the fireplace.
2. Lightly vacuum any loose particles or dust from the grate and burner. Pay close attention to the air opening of the main burner. This opening is located at the point of the main burner where the gas line from the control valve is attached. This opening must remain free of any obstruction.
3. Lightly vacuum any loose particles or dust from the pilot flame area, being sure not to touch any part of the pilot with the vacuum attachment.
4. Lightly vacuum any dust from the logs.
5. Carefully replace logs on the grate assembly and relight the pilot as stated in this instruction manual.

**NOTE:** If any of the appliance parts are hit with the vacuum attachment during cleaning, a gas leak could occur. If this happens, be sure to check for leaks as described on page 9 of this instruction manual.

# MGL-20 LOG PARTS LIST



ITEM	LOG NO.	LOG DESCRIPTION
A	MGL-20A	Front
B	MGL-20B	Ember Plaque
C	MGL-20C	Back
D	MGL-20D	Left
E	MGL-20E	Left, Middle
F	MGL-20F	Right, Middle
G	MGL-20G	Right

*When ordering, Please include complete part number, part name and description.*

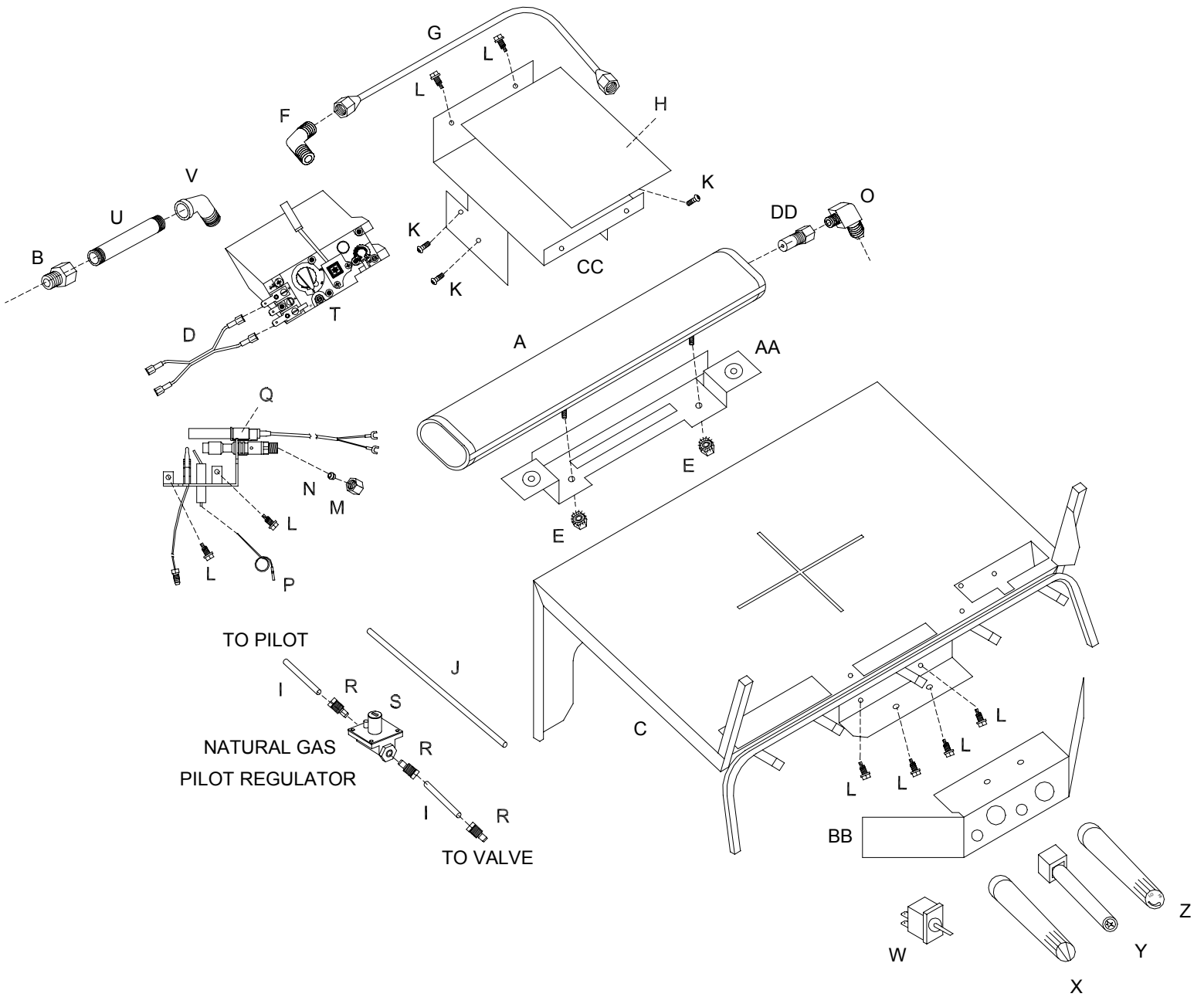
Parts may be ordered directly from:

HEATMASTER, INC.

3625 Benson Road, P.O. Box 1717, Angier, NC 27501

(919) 639-4568

# PARTS DIAGRAM



# MGVF-MV-20 PARTS LIST

KEY LETTER	PART NUMBER	PART DESCRIPTION
A	BU-A104CHS	Burner, LP
B	08-910	Adaptor, 3/8" FPT x 3/8" Flare
C	GR-MG20	Grate Front / Burner Body Asm.
D	JU-104	Wire, (4) female terminals
E	FAS-10-24N	Nut, 10-24, hex w/washer, zinc
F	11-1300	Elbow, 90°, 3/8" Flare x 3/8" MPT
G	TB-BMG20	Tubing Assembly, Burner
H	INS-MG	Insulation, Millivolt Valve Bracket
I	TB-31611	Tubing, Pilot, NAT
J	TB-31621	Tubing, Pilot, LP
K	15-1170	Screw, 10-24 x 3/8", zinc
L	04-1009	Screw, #10 x 3/8", self-tap
M	11-1076	Nut, compression, 3/16"
N	11-1076F	Ferrule, 3/16"
O	12-1300	Elbow, 90°, 3/8" Flare x 1/8" MPT
P	16-1130	Wire, piezo
Q	16-1040	Pilot, ODS, LP, Millivolt Valve
Q	16-1045	Pilot, ODS, NAT, Millivolt Valve
R	11-1441	Loxit, 3/16" Nut & Sleeve
S	16-1050	Regulator, 4.5", NAT
T	VA-100LP	Valve, Millivolt, 10.0", LP
T	VA-100NA	Valve, Millivolt, 3.5", NAT
U	11-1185	Nipple, 3/8" MPT x 3-1/2", blk
V	07-1020	Elbow, 90°, 3/8", street, blk
W	11-2265	Switch, ON-OFF
X	VA-100MEX	Extension, Valve, Main
Y	VA-100IEX	Extension, Valve, Ignitor
Z	VA-100HLEX	Extension, Valve, HI/LO
AA	MT-103BB	Bracket, Burner, LP
AA	MT-103BBN	Bracket, Burner, NAT
BB	MT-104VC	Cover, Millivolt Valve
CC	MT-107VB	Bracket, Millivolt Valve
DD	OR-MGDS#34S	Orifice, #34, NAT, Vent-Free
DD	OR-MGDS#53L	Orifice, #53, LP, Vent-Free

Parts may be ordered directly from:  
 HEATMASTER, INC.  
 3625 Benson Road, P.O. Box 1717, Angier, NC 27501  
 (919) 639-4568

*When ordering, please include complete part number, and part description.*

